

Altro doorset overview



- Bespoke service to meet different size and specification requirements
- Faced with Altro 2.5mm EU grade PVCu to both sides and all edges
- Available in a range of colours to help comply with the Equality Act 2010 requirements
- Leading edges thermoformed for smooth round corner finish
- Hard-wearing, impact resistant, wipe clean finish
- Impervious surface helps prevent bacteria and dirt ingress
- Solid core doors, 49mm thick as standard. Altro doorsets have been tested to BS 476 Part 22: 1987 Clause 7 and have been assessed to meet 30 and 60 minute fire resistance integrity and insulation
- Stainless steel hinges with Class 8 fire rating, PVCu encapsulated handles as standard
- Glazed vision panels, push plates, rubbing rails, kicker plates and ironmongery as required
- Matching PVCu frame linings and plastic stops made to measure for existing openings

Frames

Door frames are available in a variety of forms. All are manufactured with ease of cleaning and hygiene in mind with fewer areas for dirt and contaminants to gather.

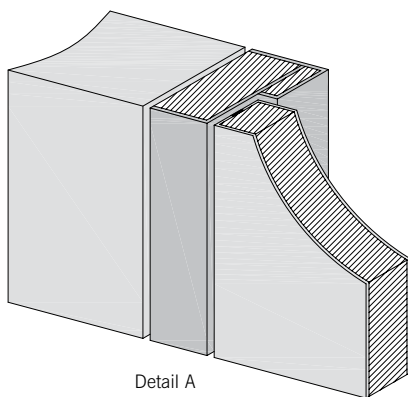
Detail A

One piece door frame - Frames can be made to suit the wall thickness enabling them to fit flush with the wall surfaces.

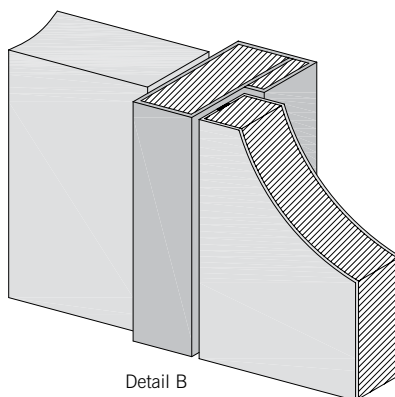
Note: tight construction tolerance is required with regard to vertical alignment of walls if this detail is chosen. Abutments are to be sealed with Altro silicone sealant, or architraves can be used (see Detail D). Alternatively fit the edge of the frame back from the face of the wall min 10mm to form, reveal and seal the abutment (see Detail F).

Detail B

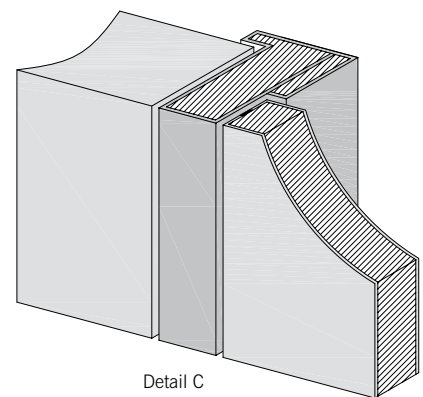
One piece overlapping frame - The frame is manufactured wider than the wall thickness. Altro Whiterock or Altro Fortis Titanium is wrapped around the back to encapsulate the frame and will accommodate greater construction tolerances with regard to vertical wall alignment.



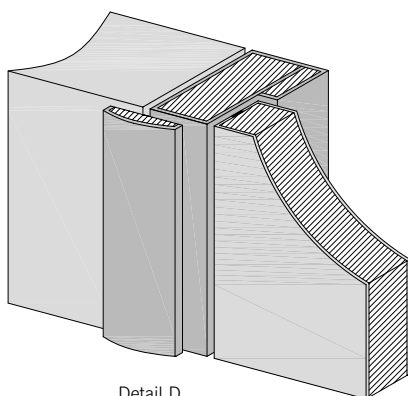
Detail A



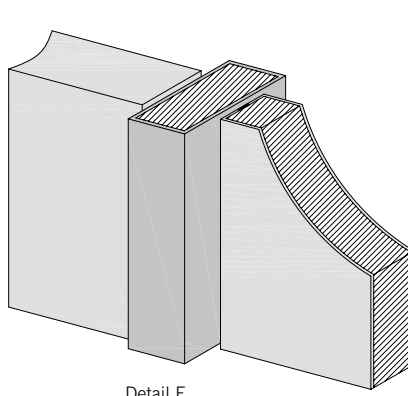
Detail B



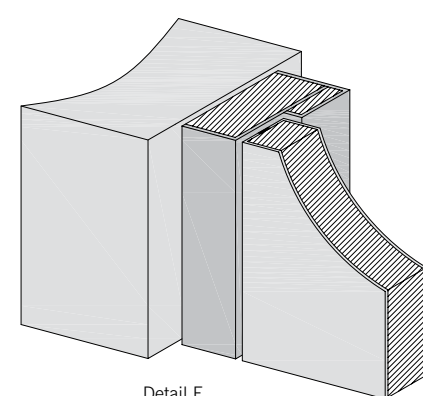
Detail C



Detail D



Detail E



Detail F

Detail C

One piece rebated frame overlapping one side - The design of this door frame is such that it is manufactured 20mm wider than the thickness of the wall it is being installed into, thereby enabling the frame to be installed prior to the wall cladding or wall protection, enabling a more accurate abutment. It also eliminates the requirement for architraves to one side and will accommodate a wider tolerance in the wall construction.

The rebated frame provides closing to one side, with no architraves. Architraves or sealant are required to close out the opposite side.

Detail D

Frame Detail A with architraves.

Detail E

Double action doorset hung in an overlapping frame.

Detail F

Frame Detail F is set back from the face of the wall to form a reveal which accommodates greater construction tolerance with regard to vertical wall alignment.

Note: all doorsets will be manufactured to suit structural opening dimensions, the overall frame will be 10mm less than the opening width and min 5mm less than the opening height.

Door types

When choosing your doorset, there are a few things to consider. First, what format do you need? Our doorsets are available in a range of standard sizes and formats, and you can also choose from bespoke sizes in single, leaf and a half, double and double action configurations.

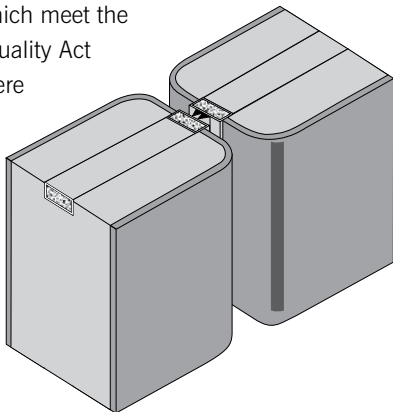
Next, you'll need to consider factors such as your vision panel, ease of installation, fire resistance (none, 30-minute or 60-minute), smoke control and acoustics (none or 29 RwdB).

Doorsets can be ordered in any Altro Whiterock or Altro Fortis Titanium colour, so you can coordinate or contrast.

Whatever your specific requirements, we can customise our doorsets to meet them. And because Altro doorsets come as a complete set, the technical performance and integrity of your installation are assured.

Seals

Altro fire-rated doorset systems are tested to BS476 part 22 and are fitted with intumescent seals, which further enhance the overall high quality construction of the doorset to provide increased fire protection. Alternative seals are available in a variety of forms to combat smoke, sound and air transfer. We can also fit wider seals in contrasting colours, which meet the requirements of the Equality Act 2010 in situations where doors are normally held open.



Coloured doorsets are available in any Altro Whiterock White (page 52) Altro Whiterock Chameleon (pages 56-57), Altro Whiterock Satins (pages 54-55) or Altro Fortis Titanium (pages 64-65) colours.



Ironmongery

A range of standard ironmongery sets are available for Altro doorset systems. You can either choose between factory fitted sets or specify ironmongery that's particularly suitable for your requirements.

Hinges

All doorsets are supplied pre-hung with heavy duty satin washed stainless steel hinges as standard.

Kickplates

Surface mounted stainless steel kickplates are optional and are used to protect the door from day-to-day wear and tear.

Locks, latches and flushbolts

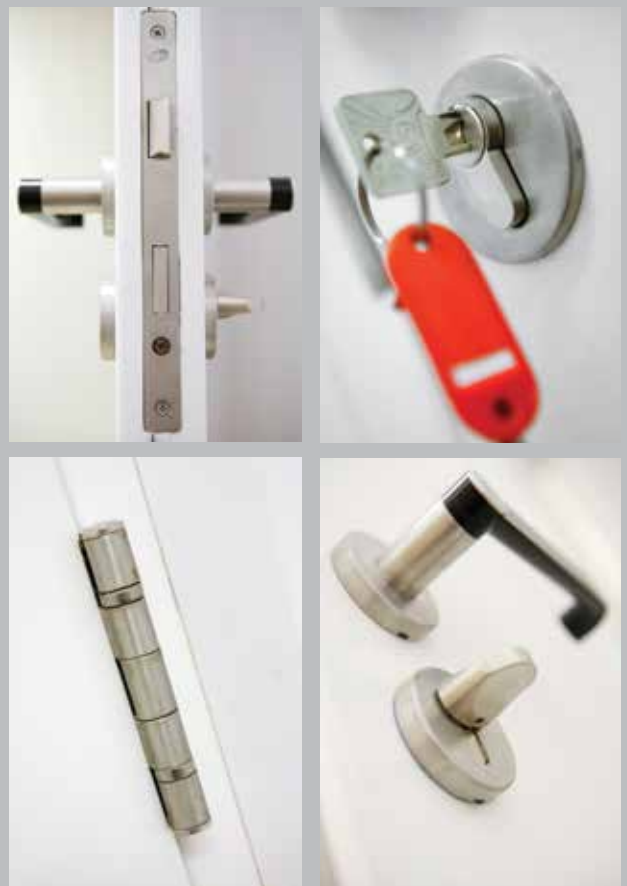
Doors are supplied with housings for either Altro standard or your own specified ironmongery.

Projecting hardware eg handles and door closers

Standard range available or as specified, packed separately from doorsets for installation on site.

Anti-ligature

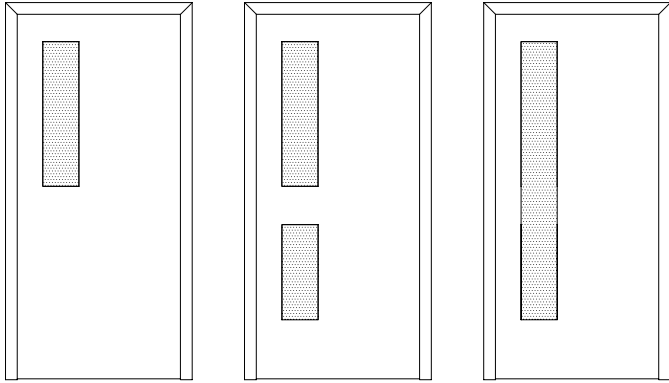
Doorsets can be manufactured to meet specified anti-ligature requirements. Please contact Altro for further information.



Vision panels

In many applications the vision panel is a key feature of the door and the Altro range has a wide selection to choose from. Standard designs are pictured below.

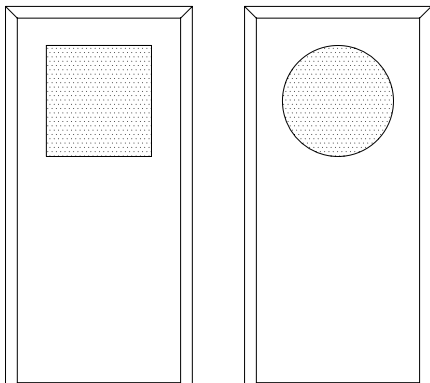
Bespoke designs can also be catered for.



ALVP1

ALVP2*

ALVP3*

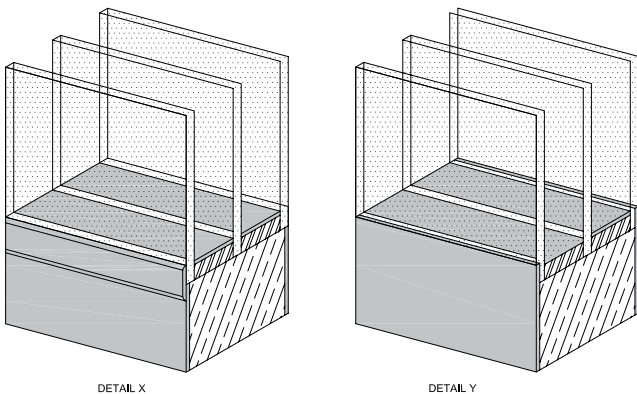


ALVP4

ALVP5

* complies with building regulations part M and BS8300

Vision panels can be glazed as per our two standard glazing systems indicated below. Alternatively vision panels can be supplied with internal blinds or louvres if privacy is required. Bespoke glazing is also available; discuss your requirements with Altro direct.



DETAIL X

DETAIL Y

Flush glazed doors are supplied with two acrylic glazing panels. A central glass pane is incorporated in fire rated doors.

